



Mobile dock crane

CAN-bus-controlled video control unit MVCU1500

Mobile dock crane

Heavy-duty camera systems for cranes



The Motec motor zoom camera provides the operator with an optimum view of the suspended load, thereby ensuring quick and efficient material handling in the port. The system, which is connected to a CAN-bus-capable MVCU1500 video controller, usually comprises 2 motor zoom cameras and 6 heavy-duty cameras. The images of these cameras can be displayed in different image modes on up to 2 monitors. The system can be controlled directly via the machine-internal control display unit, which is connected to the system via a CAN interface.

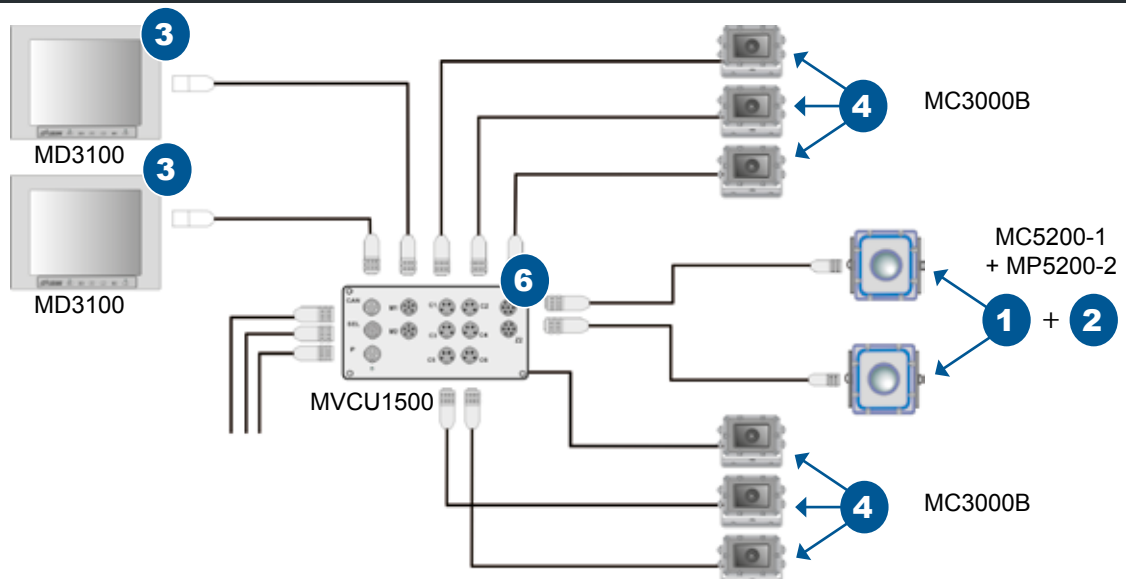
System advantages

- **More safety**
The operator can spot persons and obstacles in time, thereby preventing accidents.
- **Higher level of efficiency**
The operators can control their mobile dock cranes more precisely and efficiently with a camera system.
- **Quick and safe manoeuvring**
Cameras make manoeuvring easier and help the operator to keep an eye on the surroundings.

View of:

- Suspended load
- Distance to the hull
- Position of other containers and objects
- Monitoring of the machine room and control room
- Rear view monitoring

System drawing



Example

MC5200-1
motor zoom camera



1

MP5200-2
pendulum bracket



2



MD3100 monitor

3



MC3000B
heavy-duty camera

4



DVR recorder

5



MVCU1500
video control unit

6



1

MC5200-1 motor zoom camera

- Robust aluminium housing
- Sharp, high-contrast images
- Ingress protection rating IP68
- Up to 26x optical zoom
- 1.6°...47.5° horizontal viewing angle
- Operating temperature -35°C...+60°C
- Storage temperature -40°C...+85°C

2

MP5000-2 pendulum bracket

- Robust housing – anodised aluminium/stainless steel
- Camera remains perpendicular at all times
- Optimum damping – the camera position remains stable even in windy conditions or when the crane jib moves

3

MD3100 monitor

- 10.2" monitor (25.9 cm diagonal)
- Sturdy metal housing
- Ingress protection rating IP54 (front)
- Crystal clear images
- Operating temperature -20 °C...+70 °C
- Storage temperature -30 °C...+85 °C

4

MC3000B heavy-duty camera

- Robust aluminium housing
- Extremely high chemical and mechanical resistance
- Resistant to high-pressure cleaners IP69K
- CMOS ¼" image sensor with a sensor resolution of 640 x 480 pixels (horizontal x vertical)
- Operating and storage temperature -60 °C...+85 °C

5

DVR-EDR410H recorder

- Mobile-suitable digital recording
- Supports up to four cameras and two monitors
- Automatic activation via switch signals
- Recording on mobile-suitable, removable hard disks

6

MVCU1500 video control unit

- Freely programmable image presentation and configuration of overlays
- Up to 6 heavy-duty cameras and 2 motor zoom cameras
- Camera selection via freely programmable control lines or a CAN bus

Motec GmbH
Oberweyerer Straße 21
65589 Hadamar-Steinbach
GERMANY

Phone +49 6433 9145-0
Fax +49 6433 9145-45
info@motec-cameras.com
www.motec-cameras.com